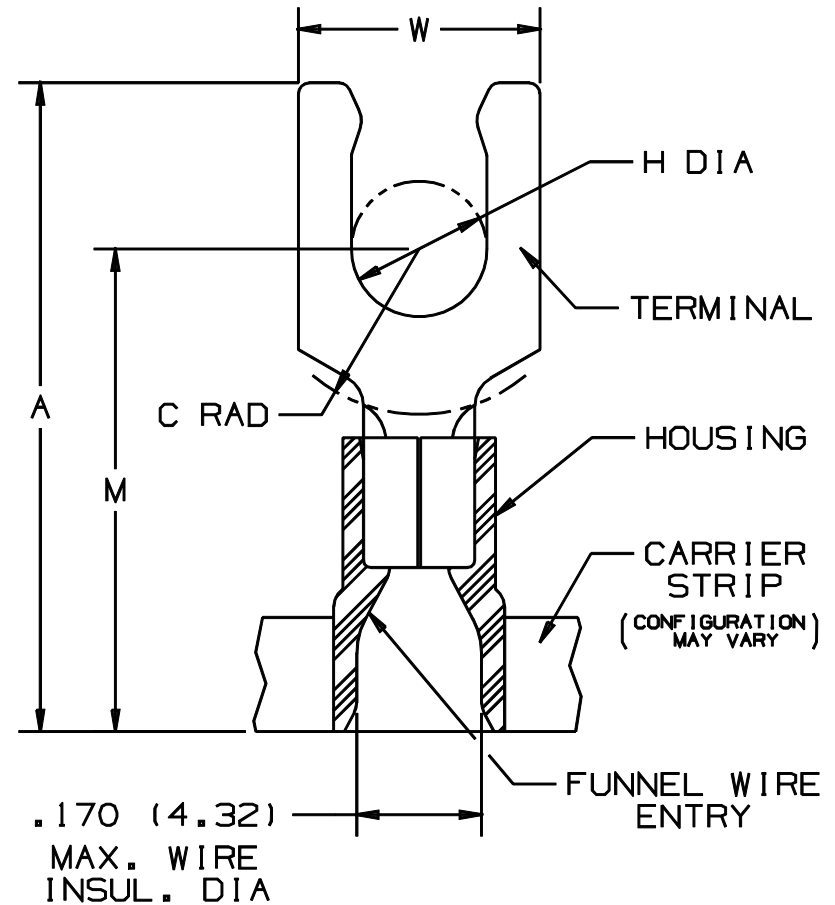


THIS COPY IS PROVIDED ON A RESTRICTED BASIS AND IS NOT TO BE USED IN ANY WAY DETRIMENTAL TO THE INTERESTS OF PANDUIT CORP.

PANDUIT PART NUMBER	STUD SIZE	DIMENSIONS in.				
		A $\pm .03$	W $\pm .01$	C $\pm .02$	M $\pm .03$	H $\pm .01$
PV14-6LFB-3K	#6	.85 (21.59)	.25 (6.35)	.18 (4.57)	.63 (16.00)	.14 (3.56)
PV14-6LFWB-3K	#6	.85 (21.59)	.29 (7.37)	.18 (4.57)	.63 (16.00)	.14 (3.56)
PV14-8LFB-3K	#8	.92 (23.37)	.29 (7.37)	.23 (5.84)	.68 (17.27)	.16 (4.06)
PV14-10LFB-3K	#10	.92 (23.37)	.33 (8.38)	.23 (5.84)	.68 (17.27)	.19 (4.83)
PV14-10LFNB-3K*	#10	.92 (23.37)	.28 (7.11)	.23 (5.84)	.68 (17.27)	.19 (4.83)

NOTES :

- UL LISTED AND CSA CERTIFIED FOR :
 - 600 V MAX. VOLTAGE RATING
 - 221°F (105°C) MAX. TEMP. RATING
 - #16-14 AWG (1.5-2.5 mm²) SOLID OR STRANDED, COPPER WIRE
- PACKAGE QTY. : - 3K = 3000 PCS.
CONTINUOUS MOLDED CARRIER STRIP
- MATERIAL :
 - STAMPING - .03" THK COPPER, TIN PLATED
 - HOUSING - BLUE VINYL
- DIMENSIONS IN BRACKETS ARE IN MILLIMETERS
- INSTALLATION TOOLS :
 - PRESSES - CP-851, CP-860, CP-861
 - APPLICATOR - CA-800
 - DIE INSERTS - CD-800-2
- WIRE STRIP LENGTH: $1/4" + 1/32" (6.4 + 0.8)$



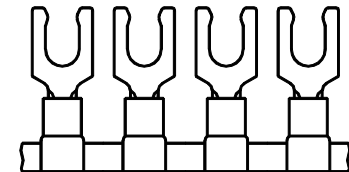
* PV14-10LFNB-3K IS NOT UL LISTED OR CSA CERTIFIED



LISTED
587H
E52164



CERTIFIED
LR31212



A41071_03

03	12/00	ED		FILESPEC WAS: N41071AA_PCD_02	08925			<p>PANDUIT CORP. TINLEY PARK, ILLINOIS</p>
02	1/96	ED		REV.S TO NOTES AND DIM.S FILESPEC WAS: A41071A.PRT	03925			
01	3/88	DSM		REDRAWN ON CAD		KS	LA	TERMO 2PC. CONTINUOUSLY MOLDED VINYL INSULATED, #16-14 BARREL, LOCKING FORKS
REV	DATE	BY	CHK	DESCRIPTION	ECN #	PM	SUP	DRAWN BY DSM Ck'D FS SCALE NONE DRAWING NO. A41071